


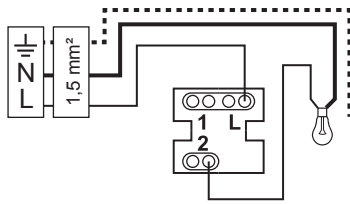
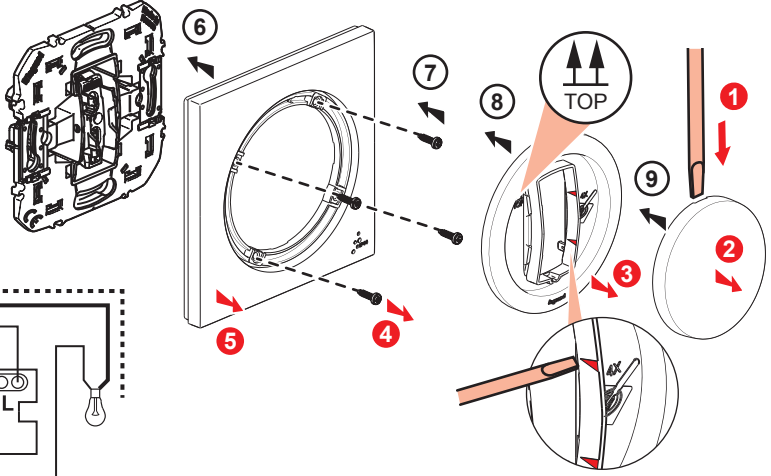
dooxie™ - IP44

6 000 13 - 6 000 14 - 6 003 24 - 6 003 44



6 000 13

-10°C ... +70°C	-5°C ... +40°C	40 mm	250 V~ 10 AX	12 mm 1.5...2.5 mm²

6 000 14

-10°C ... +70°C	-5°C ... +40°C	40 mm	250 V~ 6 A	12 mm 1.5...2.5 mm²

