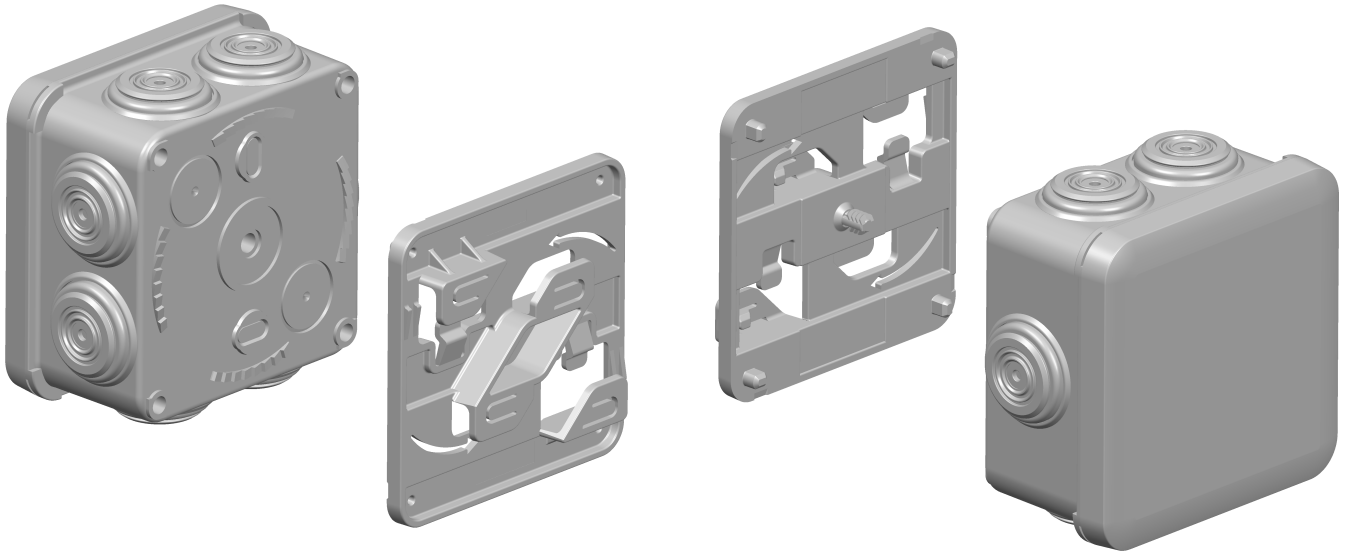
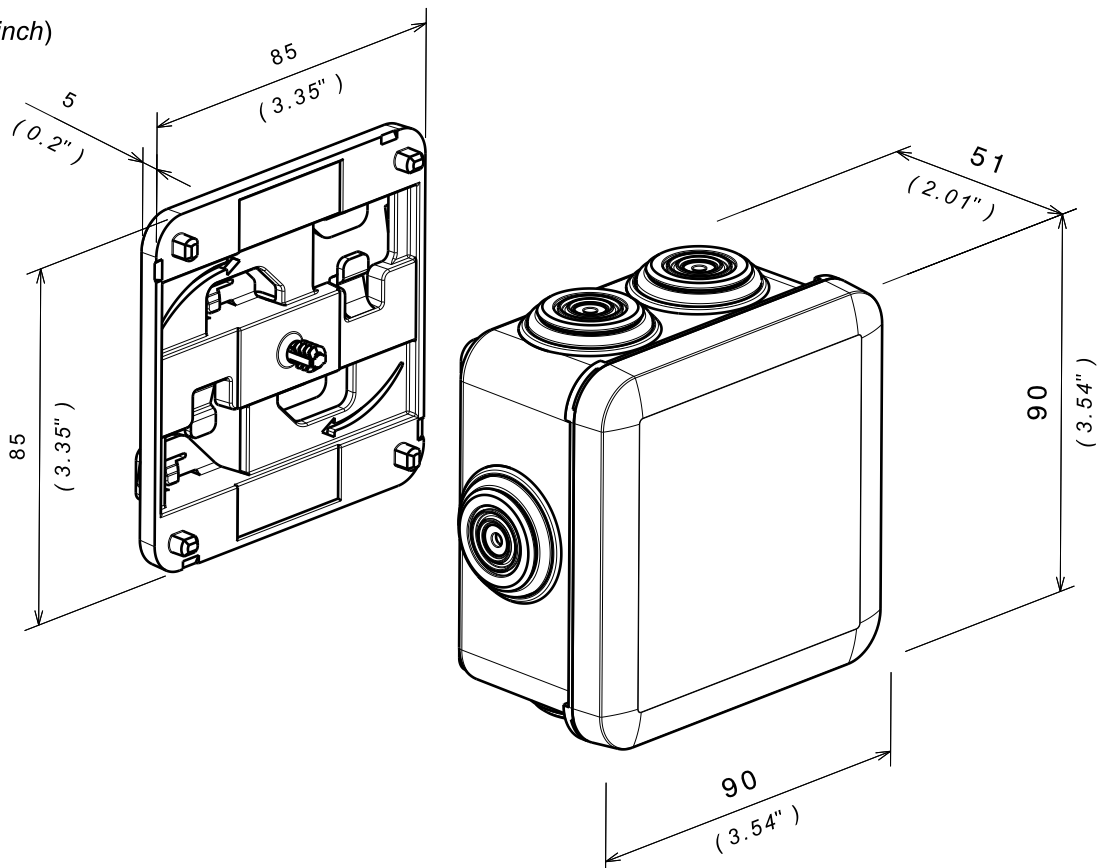


**INTERFACE BOITE PLEXO 80 - IBP80**  
**BOITE PLEXO 80x80 mm - BP80**  
*INTERFACE FOR PLEXO BOXES 80 - IBP80*  
*PLEXO BOXES 80x80mm - BP80*

Reference(s) : 091937 - 092012


**1. GAMME / RANGE**

Designation	Code	Poids / Weight		Matière / Material	RAL	Couleur / Color
		(Kg)	(lb)			
IBP80	091937	0.024	0.053	ABS	7035	GRIS / GREY
BP80	092012	0.074	0.163	PS	7035	GRIS / GREY

**2. DIMENSIONS (mm/inch)**


INTERFACE BOITE PLEXO 80 - IBP80  
BOITE PLEXO 80x80 mm - BP80  
INTERFACE FOR PLEXO BOXES 80 - IBP80  
PLEXO BOXES 80x80mm - BP80

Reference(s) : 091937 - 092012

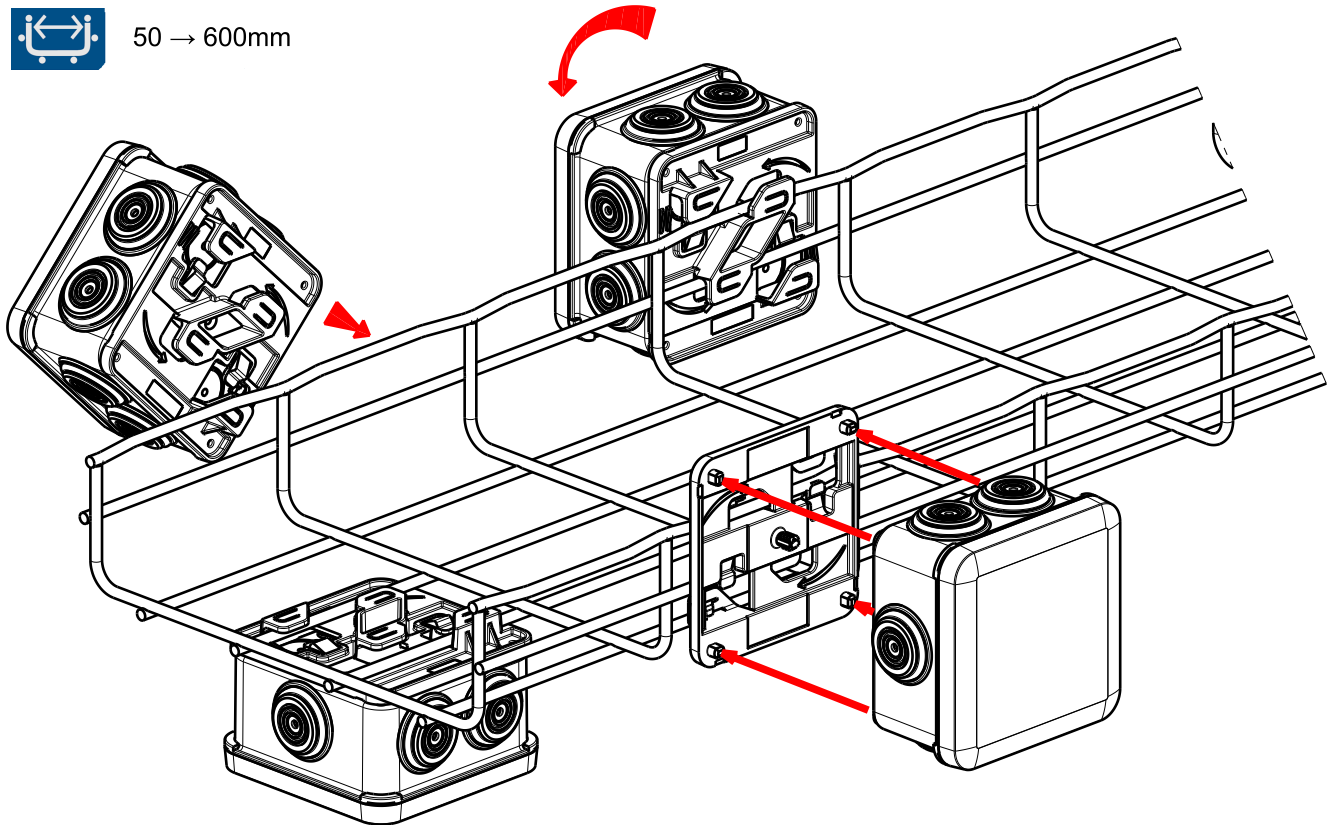
3. INSTALLATION



CF30 → CF150  
ZF31 H25 → 100



50 → 600mm



CF54



50 → 600mm

