

---



---

## SURFACE CIRCULAR

---



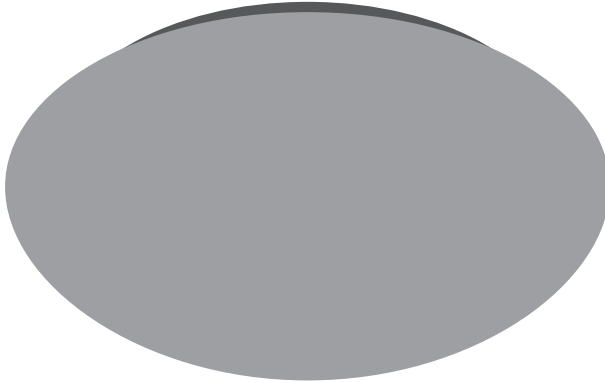
---



---

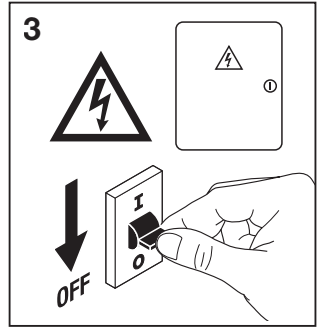
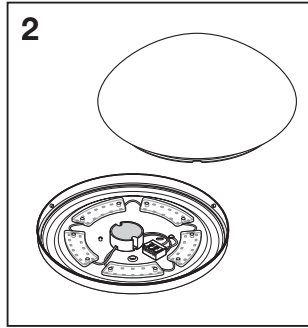
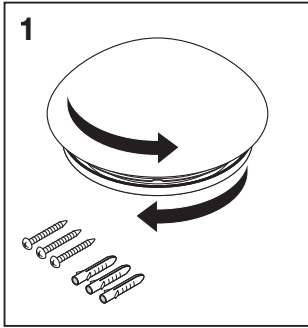
## SURFACE CIRCULAR SENSOR

---



	EAN	Ø x h [mm]	W	lm	lm/W	K	IP	IK
SF CIRCULAR 250 13W/3000K	4058075110120	250x91	13	920	70	3000	44	03
SF CIRCULAR 250 13W/4000K	4058075110144	250x91	13	960	75	4000	44	03
SF CIRCULAR 250 13W/3000K S	4058075110168	250x91	13	920	70	3000	44	03
SF CIRCULAR 250 13W/4000K S	4058075110182	250x91	13	960	75	4000	44	03
SF CIRCULAR 350 18W/3000K	4058075080010	350x115	18	1440	80	3000	44	03
SF CIRCULAR 350 18W/4000K	4058075080034	350x115	18	1440	80	4000	44	03
SF CIRCULAR 350 18W/3000K S	4058075110205	350x115	18	1440	80	3000	44	03
SF CIRCULAR 350 18W/4000K S	4058075110229	350x115	18	1440	80	4000	44	03
SF CIRCULAR 400 24W/3000K	4058075080058	400x120	24	1920	80	3000	44	03
SF CIRCULAR 400 24W/4000K	4058075080072	400x120	24	1920	80	4000	44	03
SF CIRCULAR 400 24W/3000K S	4058075080096	400x120	24	1920	80	3000	44	03
SF CIRCULAR 400 24W/4000K S	4058075080119	400x120	24	1920	80	4000	44	03

	EAN	⊖ (°C)	V <sub>Ac</sub>	Hz	∠	PF	R <sub>a</sub>	👤
SF CIRCULAR 250 13W/3000K	4058075110120	-20...+40	220-240V	50/60Hz	120°	> 0.5	> 80	0.3 kg
SF CIRCULAR 250 13W/4000K	4058075110144	-20...+40	220-240V	50/60Hz	120°	> 0.5	> 80	0.3 kg
SF CIRCULAR 250 13W/3000K S	4058075110168	-20...+40	220-240V	50/60Hz	120°	> 0.5	> 80	0.3 kg
SF CIRCULAR 250 13W/4000K S	4058075110182	-20...+40	220-240V	50/60Hz	120°	> 0.5	> 80	0.3 kg
SF CIRCULAR 350 18W/3000K	4058075080010	-20...+40	220-240V	50/60Hz	120°	> 0.5	> 80	0.6 kg
SF CIRCULAR 350 18W/4000K	4058075080034	-20...+40	220-240V	50/60Hz	120°	> 0.5	> 80	0.6 kg
SF CIRCULAR 350 18W/3000K S	4058075110205	-20...+40	220-240V	50/60Hz	120°	> 0.5	> 80	0.7 kg
SF CIRCULAR 350 18W/4000K S	4058075110229	-20...+40	220-240V	50/60Hz	120°	> 0.5	> 80	0.7 kg
SF CIRCULAR 400 24W/3000K	4058075080058	-20...+40	220-240V	50/60Hz	120°	> 0.5	> 80	0.7 kg
SF CIRCULAR 400 24W/4000K	4058075080072	-20...+40	220-240V	50/60Hz	120°	> 0.5	> 80	0.7 kg
SF CIRCULAR 400 24W/3000K S	4058075080096	-20...+40	220-240V	50/60Hz	120°	> 0.5	> 80	0.8 kg
SF CIRCULAR 400 24W/4000K S	4058075080119	-20...+40	220-240V	50/60Hz	120°	> 0.5	> 80	0.8 kg



## IP44

**4**

[mm]	d
SURFACE CIRCULAR 250	157
SURFACE CIRCULAR 350	223
SURFACE CIRCULAR 400	266

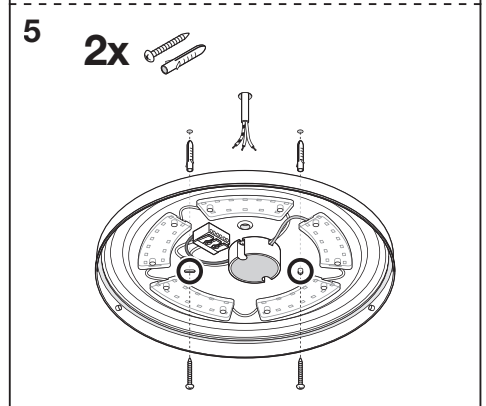
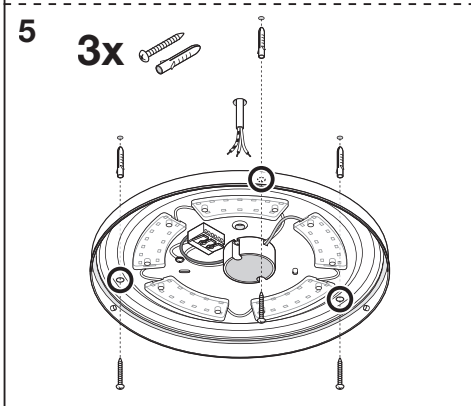
**3x**

## IP20

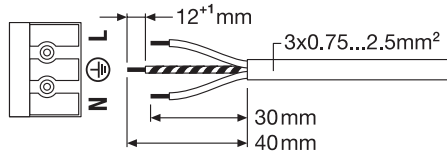
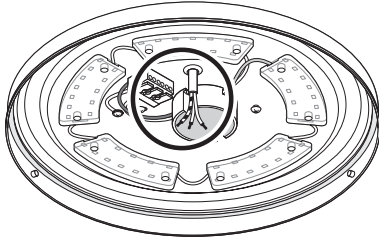
**4**

[mm]	s
SURFACE CIRCULAR 250	110
SURFACE CIRCULAR 350	95
SURFACE CIRCULAR 400	130

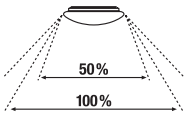
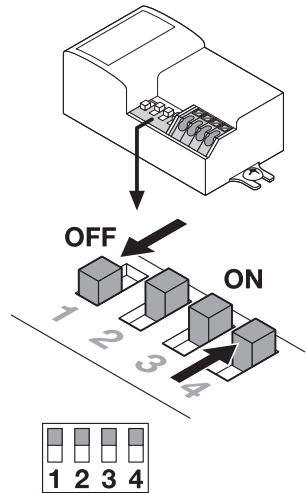
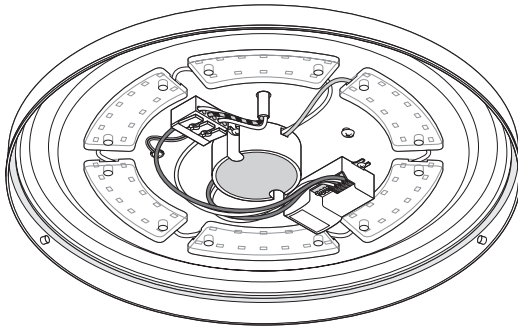
**2x**



6



7: SURFACE CIRCULAR SENSOR



Detection Area

<b>1</b>	
ON	100 %
-	50 %



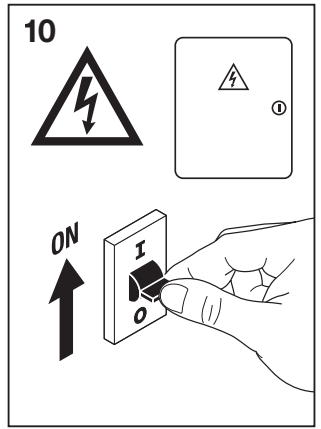
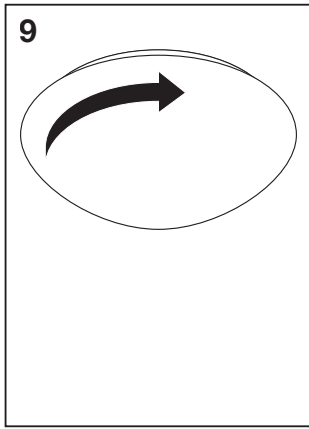
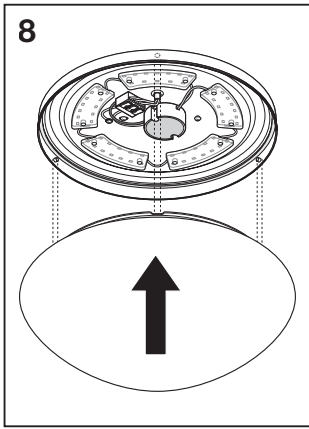
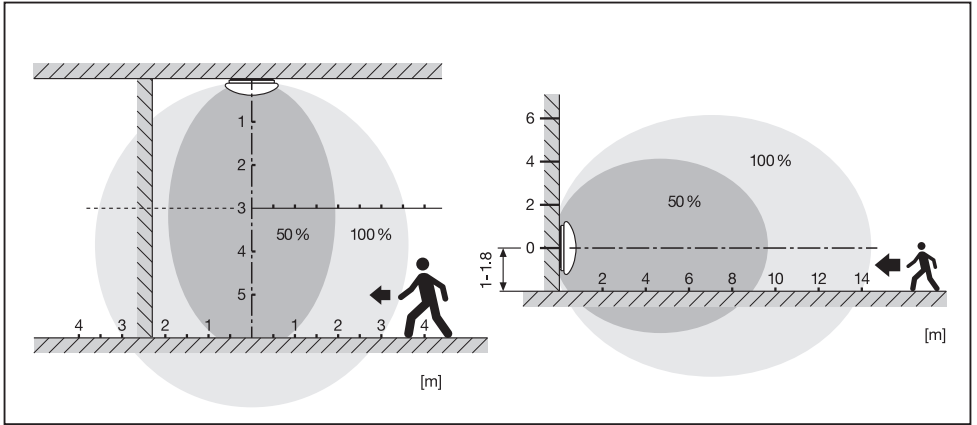
Hold Time

<b>2</b>	<b>3</b>	
ON	ON	5 s
ON	-	1 min
-	ON	3 min
-	-	10 min



Daylight Sensor

<b>4</b>	
ON	25 LUX
-	Disable



	EAN	Ø x h [mm]
SF CIRCULAR 250 COVER	4058075156722	250x80
SF CIRCULAR 350 COVER	4058075156807	350x104
SF CIRCULAR 400 COVER	4058075156821	400x112

CE **EAC** RoHS



C10449057  
G11072823  
12.04.19



LEDVANCE GmbH  
Steinerne Furt 62  
86167 Augsburg, Germany  
[www.ledvance.com](http://www.ledvance.com)