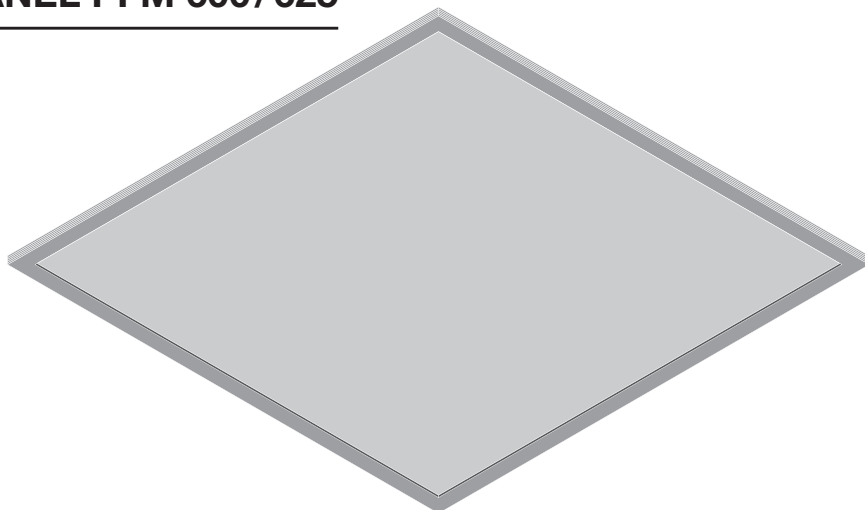
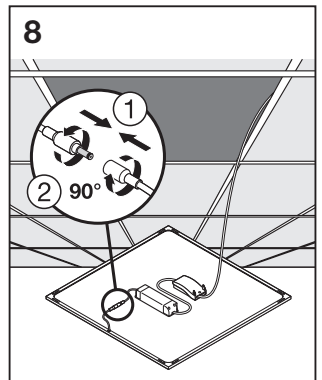
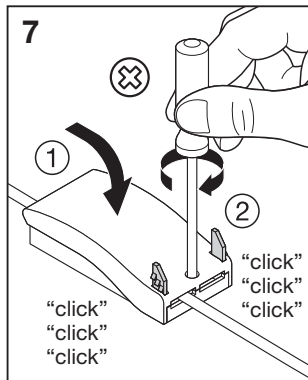
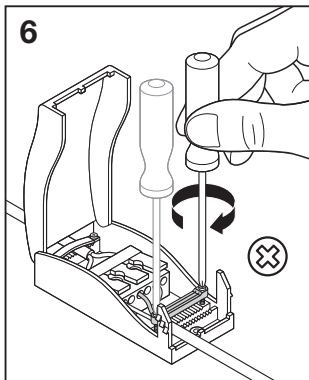
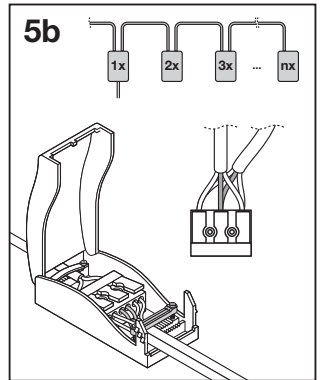
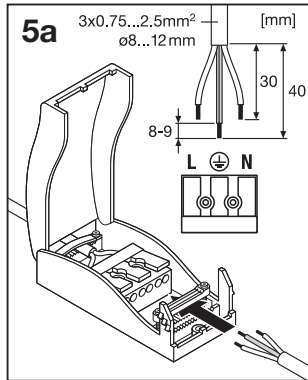
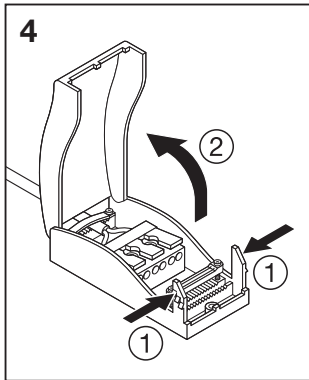
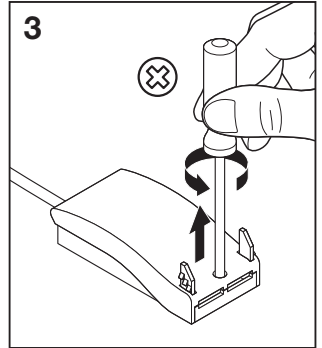
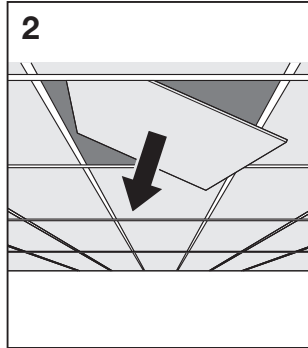
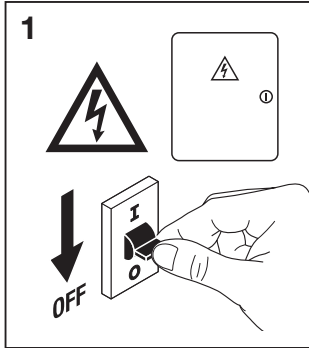
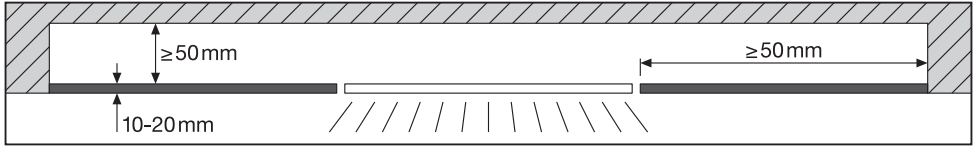


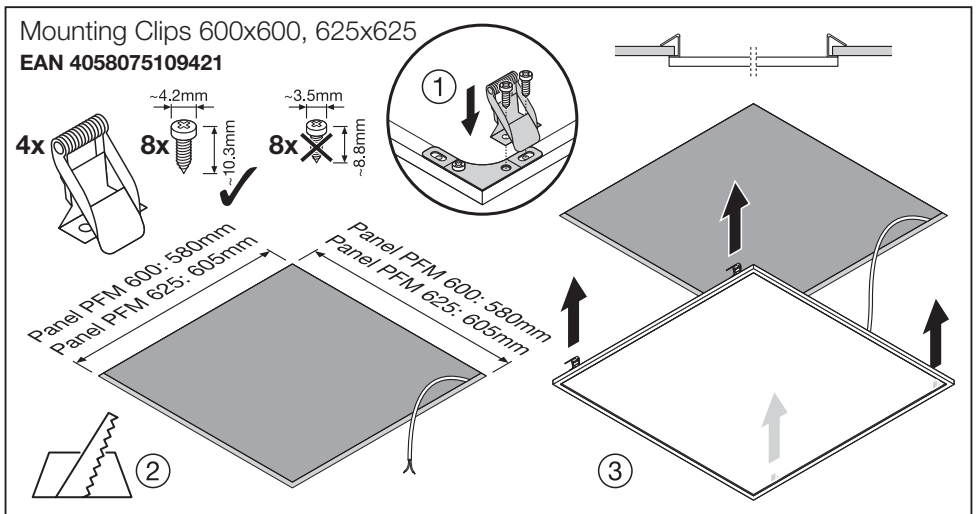
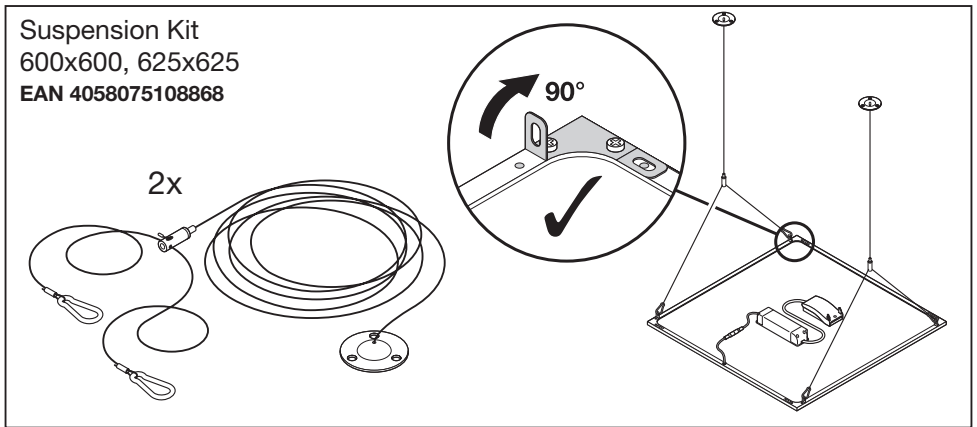
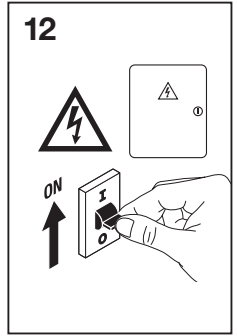
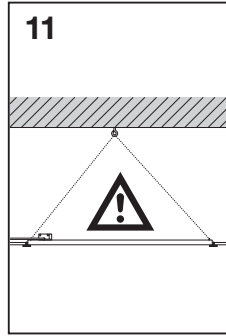
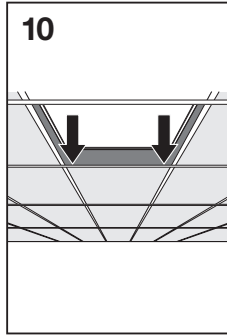
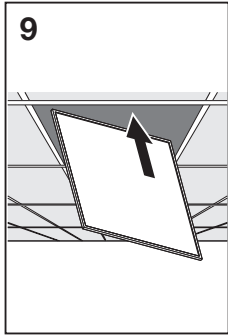
PANEL PFM 600 / 625



	EAN	l x w x h [mm]	W	V _{AC}	Hz	lm	lm/W
PL PFM 600 30W/3000K	4058075225152	595 x 595 x 9	30	220-240 V	50/60 Hz	3000	100
PL PFM 600 30W/4000K	4058075225176	595 x 595 x 9	30	220-240 V	50/60 Hz	3000	100
PL PFM 600 40W/3000K	4058075225190	595 x 595 x 9	40	220-240 V	50/60 Hz	4000	100
PL PFM 600 40W/4000K	4058075225213	595 x 595 x 9	40	220-240 V	50/60 Hz	4000	100
PL PFM 600 33W/3000K UGR19	4058075225237	595 x 595 x 9	33	220-240 V	50/60 Hz	3100	95
PL PFM 600 33W/4000K UGR19	4058075225251	595 x 595 x 9	33	220-240 V	50/60 Hz	3600	110
PL PFM 625 30W/3000K	4058075225275	620 x 620 x 9	30	220-240 V	50/60 Hz	3000	100
PL PFM 625 30W/4000K	4058075225299	620 x 620 x 9	30	220-240 V	50/60 Hz	3000	100
PL PFM 625 40W/3000K	4058075225312	620 x 620 x 9	40	220-240 V	50/60 Hz	4000	100
PL PFM 625 40W/4000K	4058075225336	620 x 620 x 9	40	220-240 V	50/60 Hz	4000	100
PL PFM 625 33W/3000K UGR19	4058075225350	620 x 620 x 9	33	220-240 V	50/60 Hz	3100	95
PL PFM 625 33W/4000K UGR19	4058075225374	620 x 620 x 9	33	220-240 V	50/60 Hz	3600	110

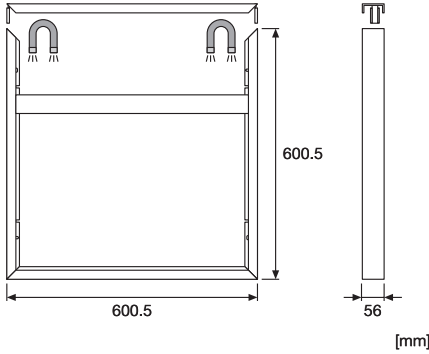
	EAN	K	IP	IK	∠	R _a	∅ (°C)	PF	👤
PL PFM 600 30W/3000K	4058075225152	3000	20	03	120°	≥80	-10...+45	≥0.95	2.0 kg
PL PFM 600 30W/4000K	4058075225176	4000	20	03	120°	≥80	-10...+45	≥0.95	2.0 kg
PL PFM 600 40W/3000K	4058075225190	3000	20	03	120°	≥80	-10...+45	≥0.95	2.0 kg
PL PFM 600 40W/4000K	4058075225213	4000	20	03	120°	≥80	-10...+45	≥0.95	2.0 kg
PL PFM 600 33W/3000K UGR19	4058075225237	3000	20	03	90°	≥80	-10...+45	≥0.95	2.1 kg
PL PFM 600 33W/4000K UGR19	4058075225251	4000	20	03	90°	≥80	-10...+45	≥0.95	2.1 kg
PL PFM 625 30W/3000K	4058075225275	3000	20	03	120°	≥80	-10...+45	≥0.95	2.3 kg
PL PFM 625 30W/4000K	4058075225299	4000	20	03	120°	≥80	-10...+45	≥0.95	2.3 kg
PL PFM 625 40W/3000K	4058075225312	3000	20	03	120°	≥80	-10...+45	≥0.95	2.3 kg
PL PFM 625 40W/4000K	4058075225336	4000	20	03	120°	≥80	-10...+45	≥0.95	2.3 kg
PL PFM 625 33W/3000K UGR19	4058075225350	3000	20	03	90°	≥80	-10...+45	≥0.95	2.4 kg
PL PFM 625 33W/4000K UGR19	4058075225374	4000	20	03	90°	≥80	-10...+45	≥0.95	2.4 kg





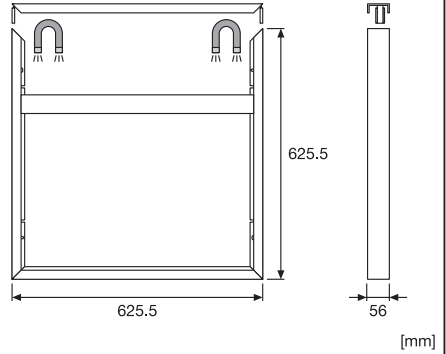
Surface Mount Kit 600x600

EAN 4058075108769



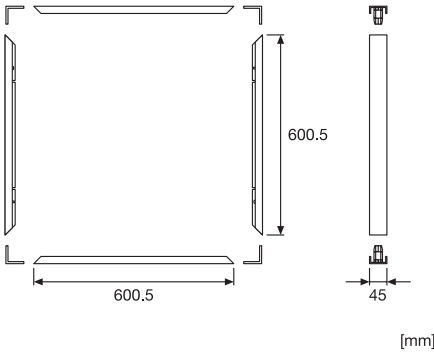
Surface Mount Kit 625x625

EAN 4058075108783



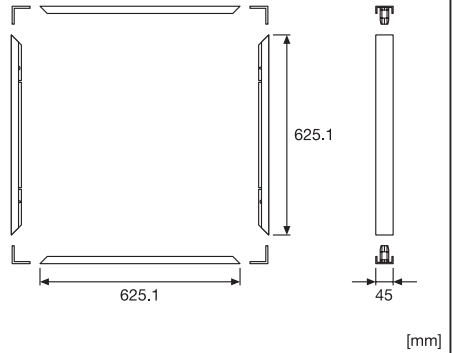
Surface Mount Kit Value 600x600

EAN 4058075075795

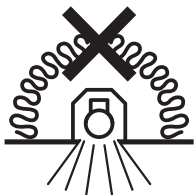


Surface Mount Kit Value 625x625

EAN 4058075091412



	C10A	B16A	C16A
PANEL PFM 600/625 30W	33	41	52
PANEL PFM 600/625 40W	22	27	36
PANEL PFM 600/625 33W UGR	30	38	49



CE RoHS



C10449057
G11089563
16.12.19



LEDVANCE GmbH
Steinerne Furt 62
86167 Augsburg, Germany
www.ledvance.com